

Wireless Transmitter and Receiver

Wireless Transmission Made Easy

FSN's WIS1000, our 60 GHz wireless HD transmitter/receiver, provides an easy and flexible solution to wireless communications. This system supports HD video, 1080p/60Hz, plus new 3D video formats generated by HDMI 1.4a. Both CEC and non-CEC enabled devices are compatible with our WIS1000 wireless system.

- FDA 510K clearance
- 60 Ghz reliability
- Mounts easily to a variety of surfaces
- Transmitter and receiver automatically synchronize
- Supports high quality 1080p video
- Multiple transmitters and receivers can be configured to form a network



*Eliminate
cumbersome
cross-room cables or
wires!*



The WIS1000 package includes:

- 1 Wireless HD transmitter (WIS1000 Tx) unit
- 1 Wireless HD receiver (WIS1000 Rx) unit
- 1 User Guide
- 2 HDMI to DVI-D cables
- 2 Medical grade power cord
- 2 Medical power adaptor (5V/2A)
- 1 Bracket for wall mounting
- 1 Bracket for monitor bezel mounting
- 1 Cable guides and extra screws

United States of America

Foreseon Custom Displays
2210 E. Winston Road
Anaheim, CA 92806
Tel: 714-300-0540
Fax: 714-300-0546

Fort Lee, New Jersey
Tel: 201-849-4495

Orlando, Florida
Tel: 407-667-3586

Germany

Benzstr.9
61352 Bad Homburg
Tel: +49(0)6172-185310-15
Fax: +49(0)6172-185310-11

www.fsnmed.com

United Kingdom

Unit 2 Kingsmill Business Park
Chapel Mill Road
Kingston upon Thames, Surrey KT1 3GZ
Tel: 44 (0) 208 546 1047
Fax: 44 (0) 208 546 3931

Korea

404B, PangyoInnovalley B
Sampyeong-dong 621
Bundang-gu
Seongnam-si, Gyeonggi-do
Tel: 82-31-8018-0780
Fax: 82-31-8018-0786

59-9 Jang-Dong, Yuseong-Gu
Daejeon City, 305-343
Tel: 82-42-360-8000
Fax: 82-42-360-8005

Australia

Medivantage Pty Ltd.
New South Wales
Tel: 0413 736 900
Fax: 02 8016 0808

Specifications

■ FDA 510K clearance

General Specifications

Item	Description
Standards	WIS1000 WirelessHD, HDMI(V1.4a)
Frequency	60 GHz
Input/Output Interface	HDMI interface
Antenna Type	32 Antenna Array (Integrate Ceramic)
Range	10 meters in-room usage
AV Port	Transmitter : 1 Port (CEC pass through) Receiver : 1 Port (CEC pass through)
Physical Specifications	Weight : 242 g (TX) / 242 g (RX) Dimension : 162.0 * 86.0 * 50.0 mm (Tx) and (Rx)
Adapter Power	AC/DC adapter, BPM010S05F02 AC 90-240~, 50-60Hz input, DC +5V 2.0A
LED Indicators	One LED display, power indication

Operating Conditions

Temperature: 0°C ~ 40°C (32° ~ 104°F) Humidity: 5% ~ 85%

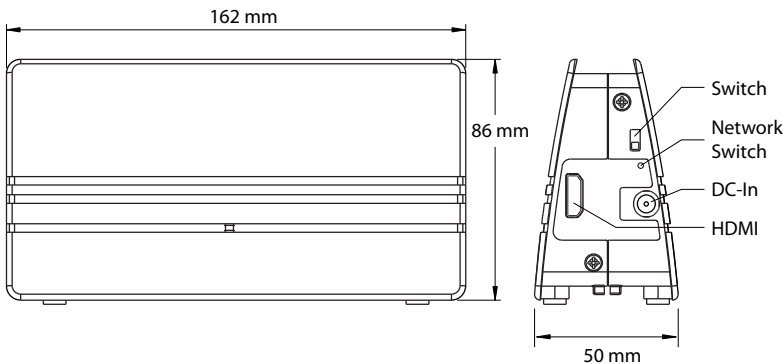
Transportation Conditions

Temperature: -20°C ~ 60°C (-4° ~ 140°F) Humidity: 5% ~ 95% Atmospheric Pressure: 500 to 1060 hPa

Storage Conditions

Temperature: -20°C ~ 60°C (-4° ~ 140°F) Humidity: 10% ~ 85%

Environment Specification



Improve wireless reliability



WIS1001 (bottom)

The WIS1001 is a DVI converter and scaler created to provide a "clean" output signal complying with industry standards. It allows the user to upscale a lower resolution to HD.

Additional wireless packages from FSN

WIS1000-DC

Standard package, plus a DC Splitter power supply.

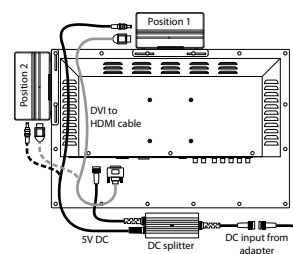
WIS1000-1001

Standard package, plus a WIS1001 signal cleaning module.

WIS1000-DC-1001

Standard package, plus a DC Splitter and WIS1001 signal cleaning module.

Powering the WIS1000



The DC Splitter is a convenient way to further reduce cords and wires from a video display system. It uses power from a monitor's cord and connects to the WIS1000 wireless unit

Specifications are subject to change with or without notice. Doc. # FSN1926 Rev. 6/13

www.fsnmed.com

United States of America

Foreseason Custom Displays
2210 E. Winston Road
Anaheim, CA 92806
Tel: 714-300-0540
Fax: 714-300-0546

Fort Lee, New Jersey
Tel: 201-849-4495

Orlando, Florida
Tel: 407-667-3586

Germany

Benzstr.9
61352 Bad Homburg
Tel: +49(0)6172-185310-15
Fax: +49(0)6172-185310-11

United Kingdom

Unit 2 Kingsmill Business Park
Chapel Mill Road
Kingston upon Thames, Surrey KT1 3GZ
Tel: 44 (0) 208 546 1047
Fax: 44 (0) 208 546 3931

Korea

404B, PangyolInnovalley B
Sampyeong-dong 621
Bundang-gu
Seongnam-si, Gyeonggi-do
Tel: 82-31-8018-0780
Fax: 82-31-8018-0786

59-9 Jang-Dong, Yuseong-Gu
Daejeon City, 305-343
Tel: 82-42-360-8000
Fax: 82-42-360-8005

Australia

Medivantage Pty Ltd.
New South Wales
Tel: 0413 736 900
Fax: 02 8016 0808